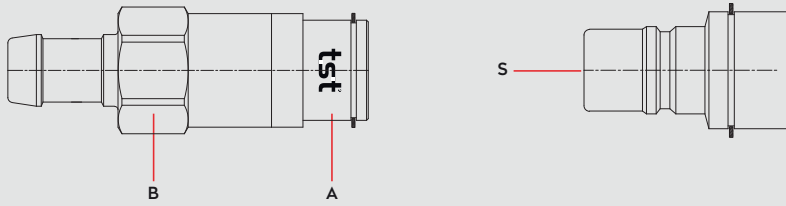



Materials




Material Code

- A = Brass
- B = Brass
- S = Brass Nickel Plated

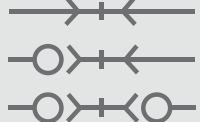
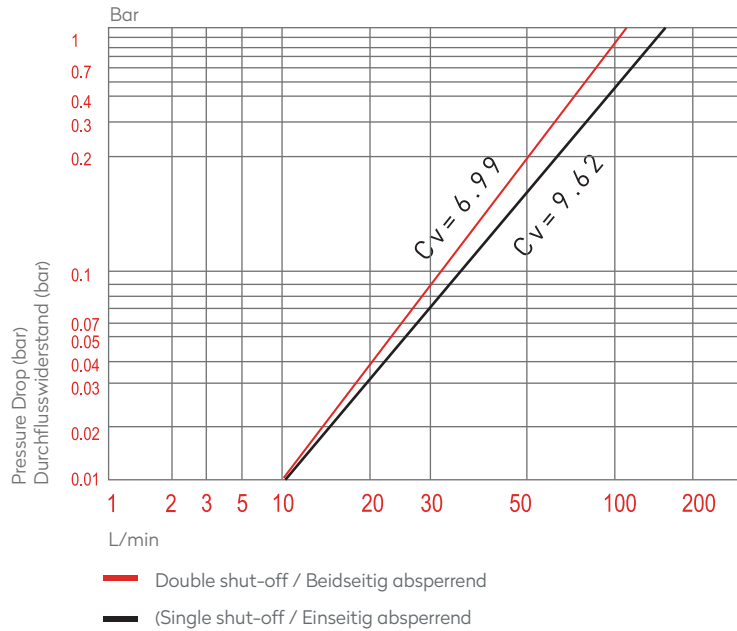


0 - 16 bar



-26°C to + 200°C (FPM)

Shut Off Type

Options

	COUPLING	OV 262 - 02105 OV 262 - 01510 OV 200 - 02000
	PLUG	OV 262 - 01235

Applications

- Temperature controlling

DN 16 mm

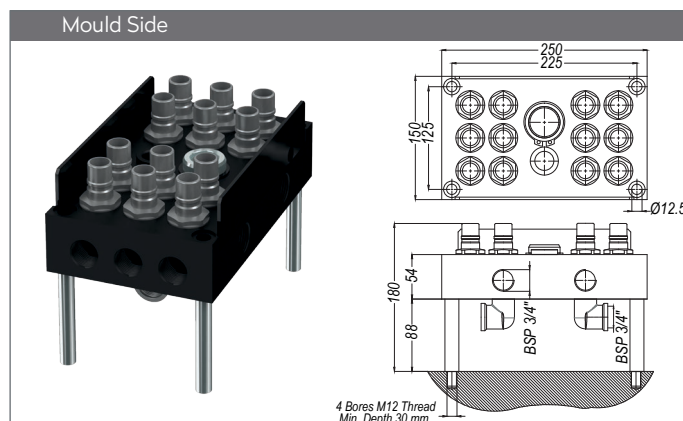
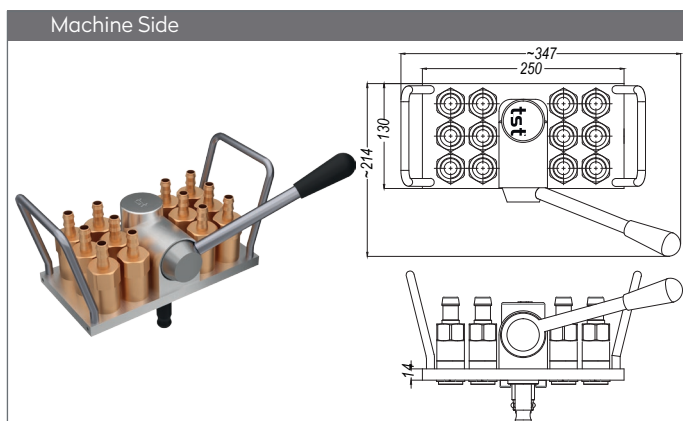
Compatible with

6 ↔ 6

SERIE 116M

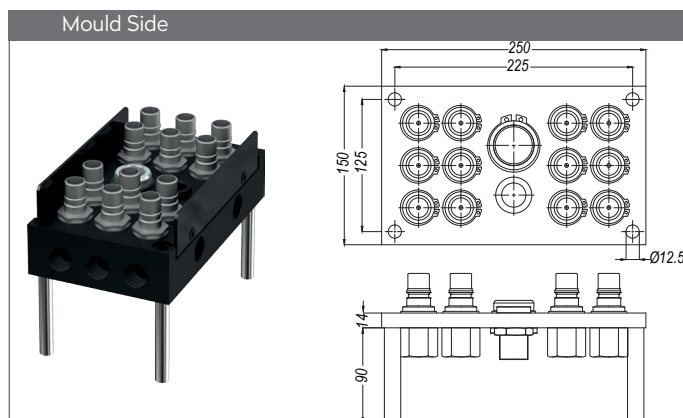
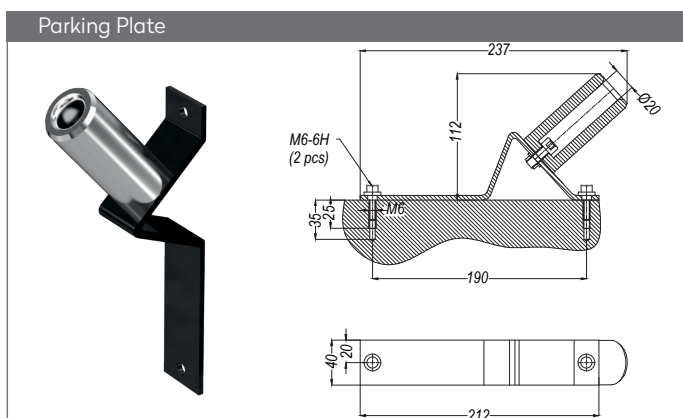
Multi Couplings Systems for quick changing of injection moulding and die cast equipments

Multikupplungensysteme für schnelles Wechseln und Verbinden der Kokillen und Spritzgußformen



Part No.	Unit	Ø
MM116.12	-	without couplings
MM116.12 HGB 16	12	Hose tail 16 mm
MM116.12 HGB 19	12	Hose tail 19 mm
MM116.12 FGB 16	12	Push-Lock Hose tail 16 mm
MM116.12 FGB 19	12	Push-Lock Hose tail 19 mm
MM116.12 DGB 26	12	BSP female 3/4"
MM116.12 NGB 26	12	NPT female 3/4"

Part No.	Unit	Ø
MK116.12	12	BSP male 1" without valve
MK116.12N	12	NPT male 1" without valve
MK116.12V	12	BSP male 1" with valve
MK116.12NV	12	NPT male 1" with valve



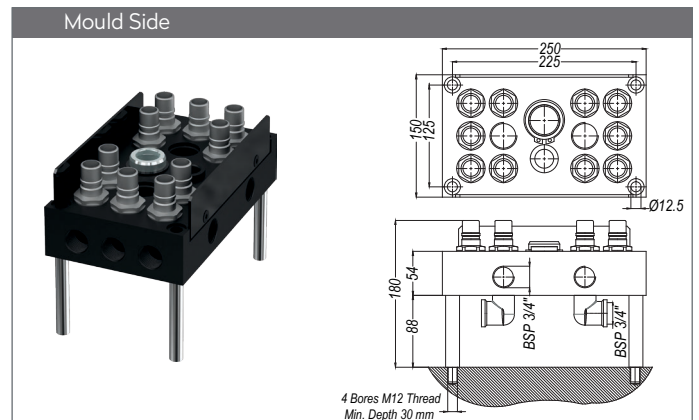
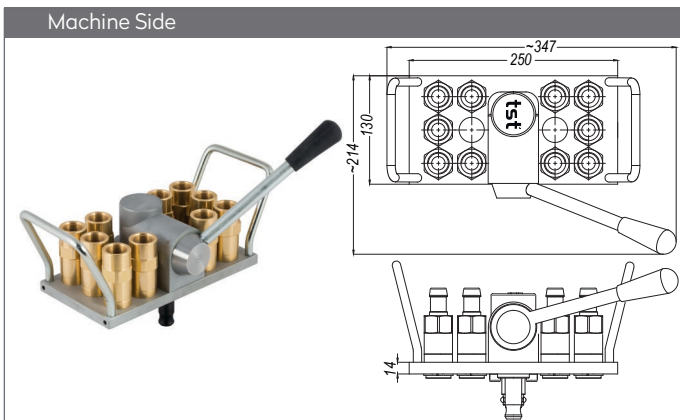
Part No.
MM108.06 P

Part No.	Unit	Ø
MK116.12-01	-	without plugs
MK116.12 DUB 26	12	BSP female 3/4" with valve
MK116.12 NUB 26	12	NPT female 3/4" with valve
MK116.12 DU 26	12	BSP female 3/4" without valve
MK116.12 NU 26	12	NPT female 3/4" without valve

SERIE 116M

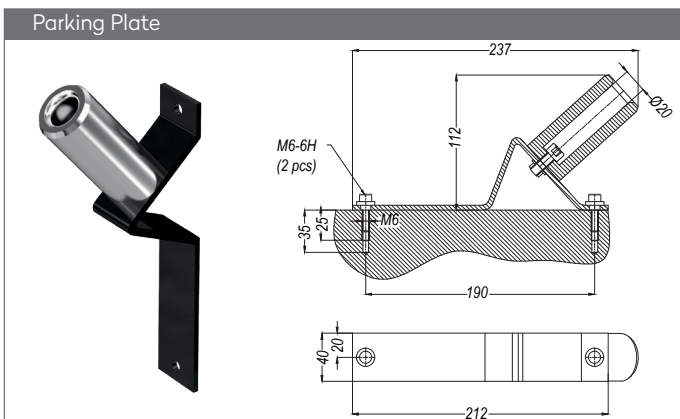
Multi Couplings Systems for quick changing of injection moulding and die cast equipments

Multikupplungensysteme für schnelles Wechseln und Verbinden der Kokillen und Spritzgußformen



Part No.	Unit	Ø
MM116.12	-	without couplings
MM116.10 HGB 16	10	Hose tail 16 mm
MM116.10 HGB 19	10	Hose tail 19 mm
MM116.10 FGB 16	10	Push-Lock Hose tail 16 mm
MM116.10 FGB 19	10	Push-Lock Hose tail 19 mm
MM116.10 DGB 26	10	BSP female 3/4"
MM116.10 NGB 26	10	NPT female 3/4"

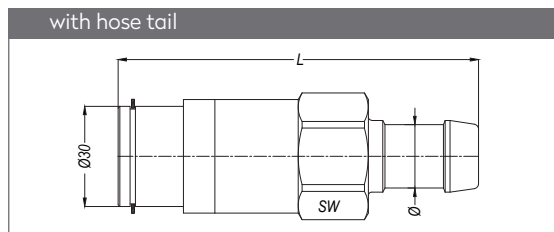
Part No.	Unit	Ø
MK116.10	10	BSP male 1" without valve
MK116.10N	10	NPT male 1" without valve
MK116.10V	10	BSP male 1" with valve
MK116.10NV	10	NPT male 1" with valve



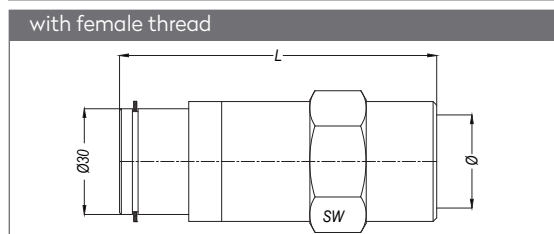
Part No.
MM108.06 P

SERIE 116M

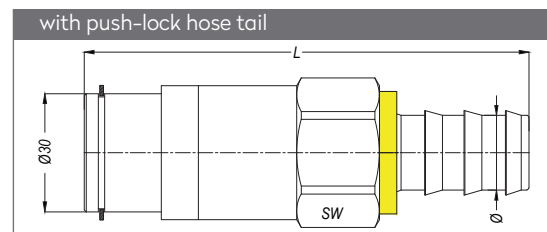
QUICK COUPLINGS SCHNELLKUPPLUNGEN



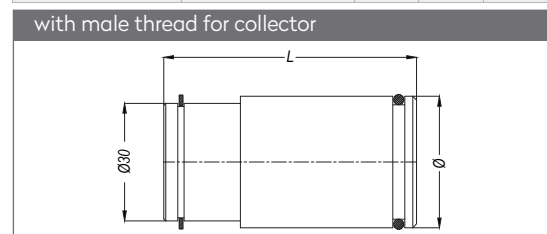
With Valve	Without Valve	SW	Ø	L
MM116 HGB 16	MM116 HGF 16	35	16	108
MM116 HGB 19	MM116 HGF 19	35	19	108



With Valve	Without Valve	SW	Ø	L
MM116 DGB 26	MM116 DGF 26	35	BSP 3/4"	90
MM116 NGB 26	MM116 NGF 26	35	NPT 3/4"	90

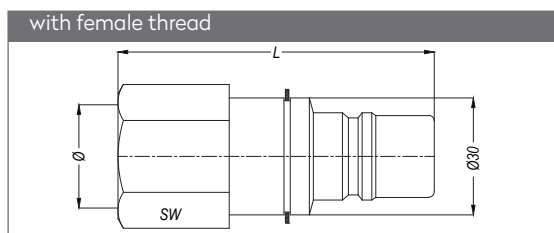


With Valve	Without Valve	SW	Ø	L
MM116 FGB 16	MM116 FGF 16	35	16	113
MM116 FGB 19	MM116 FGF 19	35	19	115



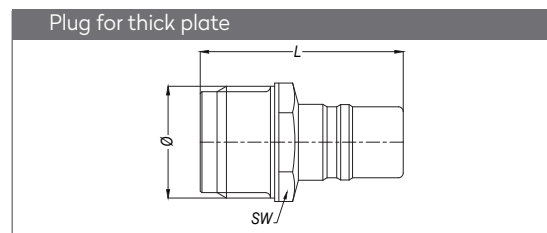
With Valve	Without Valve	SW	Ø	L
MM116 EGB 00	-	-	33.6	64.6

PLUGS STECKNIPPEL



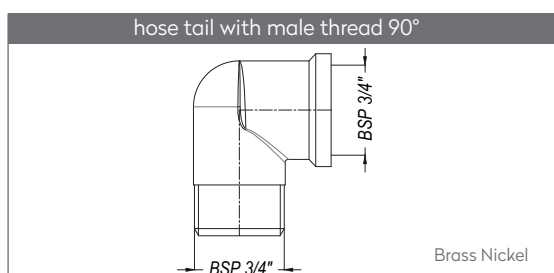
With Valve	Without Valve	SW	Ø	L
MK116 DUB 26	MK116 DUF 26	32	BSP 3/4"	81
MK116 NUB 26	MK116 NUF 26	34	NPT 3/4"	107

→*with adaptor

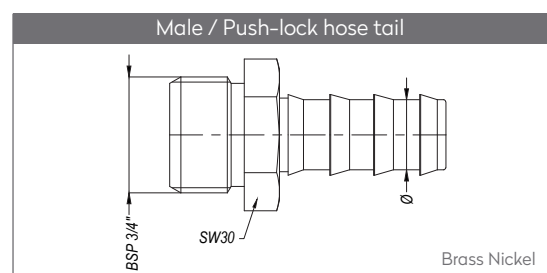


With Valve	Without Valve	SW	Ø	L
101.16 EUB 33	101.16 EUP 33	32	BSP 1"	60

ACCESSORIES ZUBEHÖR



Part No.
116 EB 26



Part No.	Ø
EHF 26-16	16
EHF 26-19	19